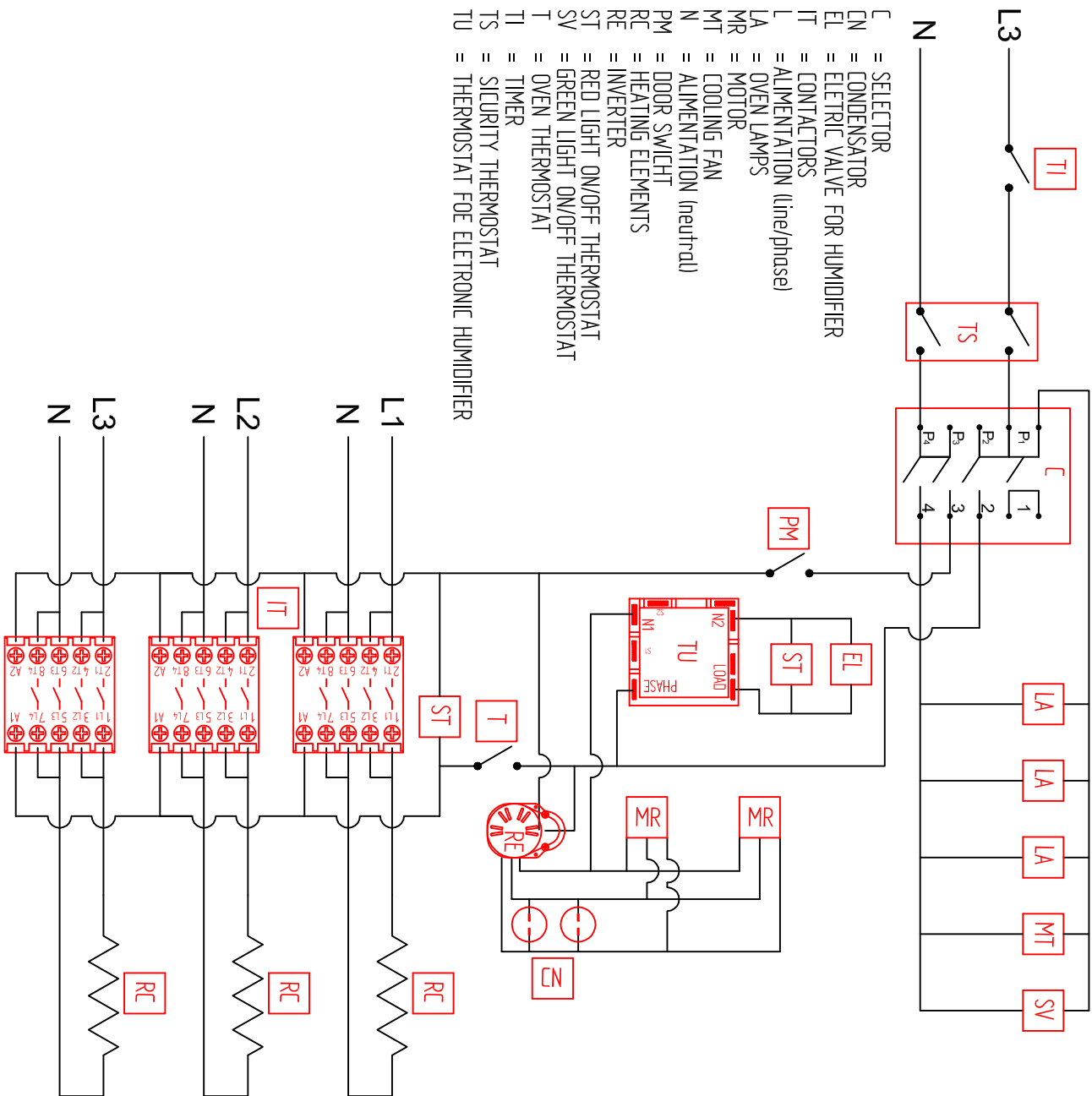


- C = SELECTOR
- CN = CONDENSATOR
- EL = ELECTRIC VALVE FOR HUMIDIFIER
- IT = CONTACTORS
- L = ALIMENTATION (line/phase)
- LA = OVEN LAMPS
- MR = MOTOR
- MT = COOLING FAN
- N = ALIMENTATION (neutral)
- PM = DOOR SWILCH
- RC = HEATING ELEMENTS
- RE = INVERTER
- ST = RED LIGHT ON/OFF THERMOSTAT
- SV = GREEN LIGHT ON/OFF THERMOSTAT
- T = OVEN THERMOSTAT
- TI = TIMER
- TS = SECURITY THERMOSTAT
- TU = THERMOSTAT FOE ELECTRONIC HUMIDIFIER



4	..	..	TOLLERANZE: UNI 5307	SCALA	PIRON	DENOMINAZIONE	ELECTRICAL SCHEME	DISEGNATO:	Conte R.	
3	..	..	da 1 a 6	±0,08		MATERIALE		MODELLO		VERIFICATO
2	..	..	da 5 a 18	±0,12		.....		OVEN 910		..
1	..	..	da 18 a 50	±0,18		TRATTAMENTO		FILE		.....
RELEASE	MODIFICHE	FIRMA	da 50 a 80	±0,23	07/04/2011	www.Piron.it	.....	DISIGNO	...	
			da 80 a 120	±0,27						
			da 120 a 250	±0,33						
			da 250 a 400	±0,42						
			da 400 a oltre	±0,50						