



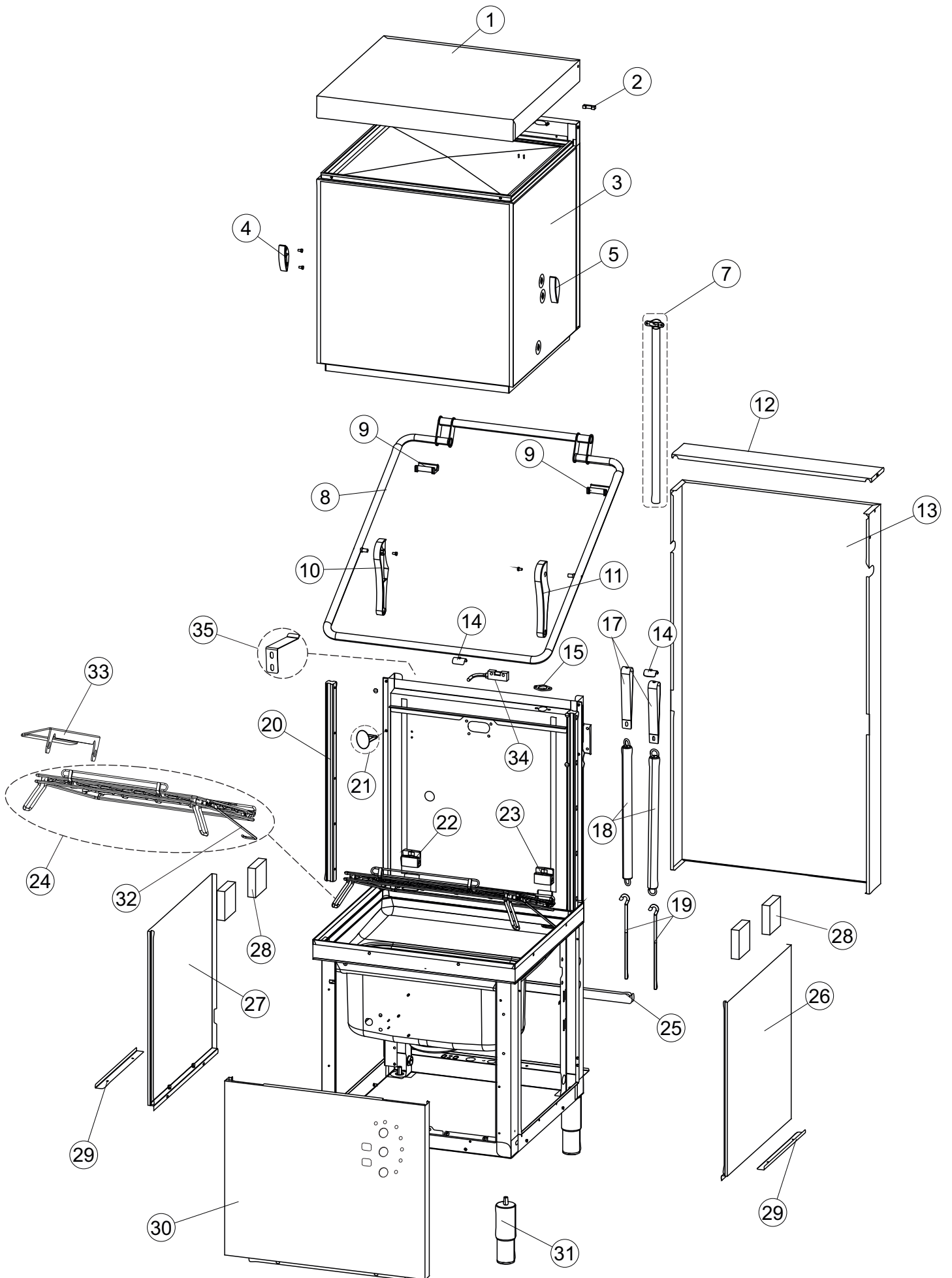
**Apach**

**SPARE PARTS CATALOGUE  
ERSATZTEILKATALOG  
CATALOGUE PIECES DETACHEES  
CATALOGO PARTI RICAMBIO  
CATALOGO DE PIEZAS DE RECAMBIO  
CATALOGO PEÇAS DE REPOSIÇÃO**

**AC 990**

**04-09-2012**

# 1

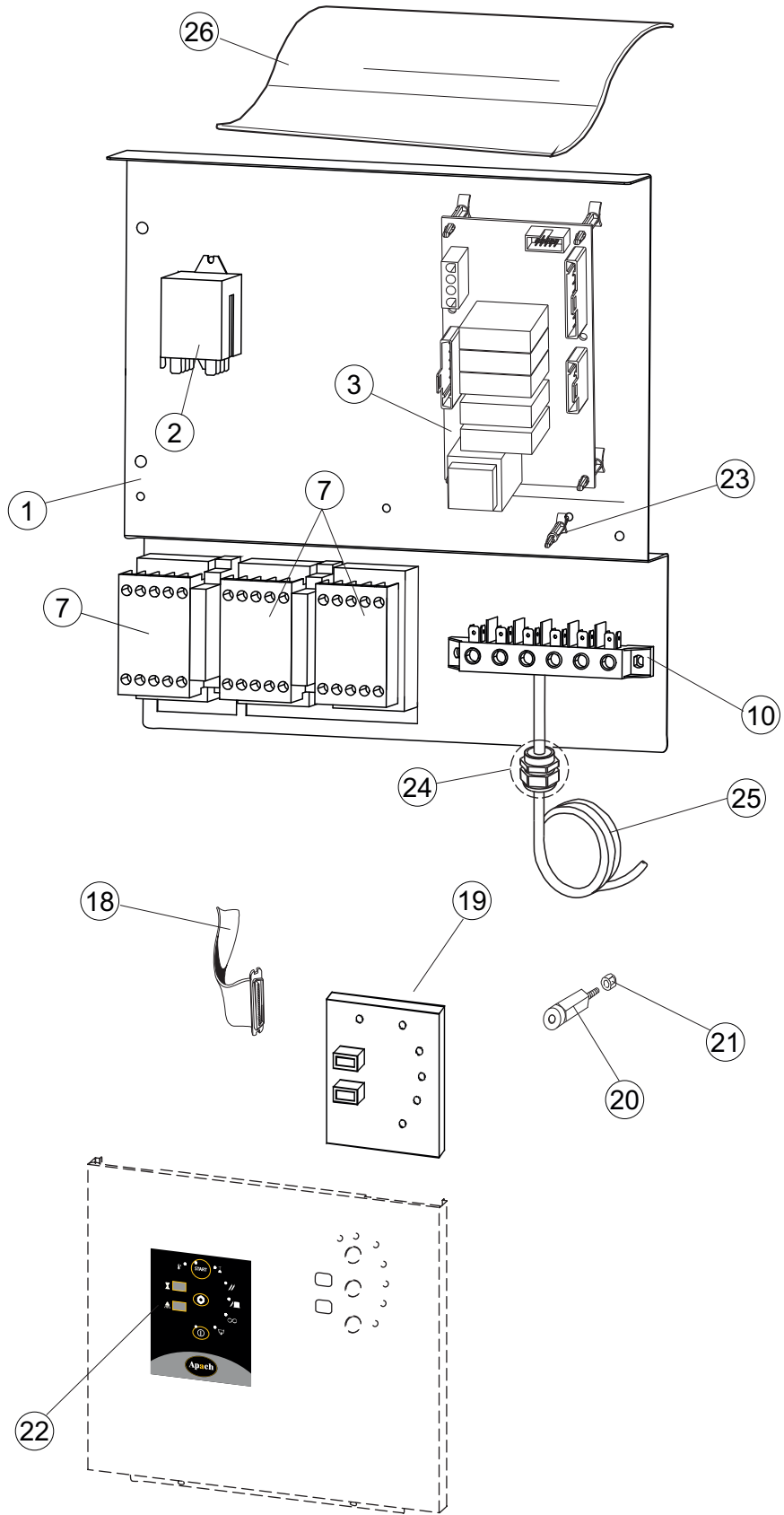


# Pagina 1

1	70651	PANNELLO SOPRA CAPP A S/COMANDI COMPLETO	
2	927088	MAGNETE PER MICROINTERRUPTORE MAGNET FOR MICROSWITCH MAGNET FÜR MIKROSCHALTER AIMANT POUR MINIRUPTEUR IMAN PARA MICROINTERRUPTOR	
3	70139	CAPPA COMPLETA  GRUPO CAMPANA CUADRADA COMPLETA	
4	70202	FERMO LEVA SX CAPP A	
5	70203	FERMO LEVA DX CAPP A	
7	70094	TUBO	
8	70120	MANIGLIONE HANDLE HANDGRIFF BRANCARD MANIJA RIVER	
9	70192	SUPPORTO	
10	70200	LEVA SX CAPP A	
11	70201	LEVA DX CAPP A	
12	70324	PANNELLO POSTERIORE SUPERIORE	
13	70163	PANNELLO POSTERIORE SKIN_PLATE	
14	70277	PATTINO	
15	70092	FLANGIA TUBO	
17	70031	GANCIO MOLLE	

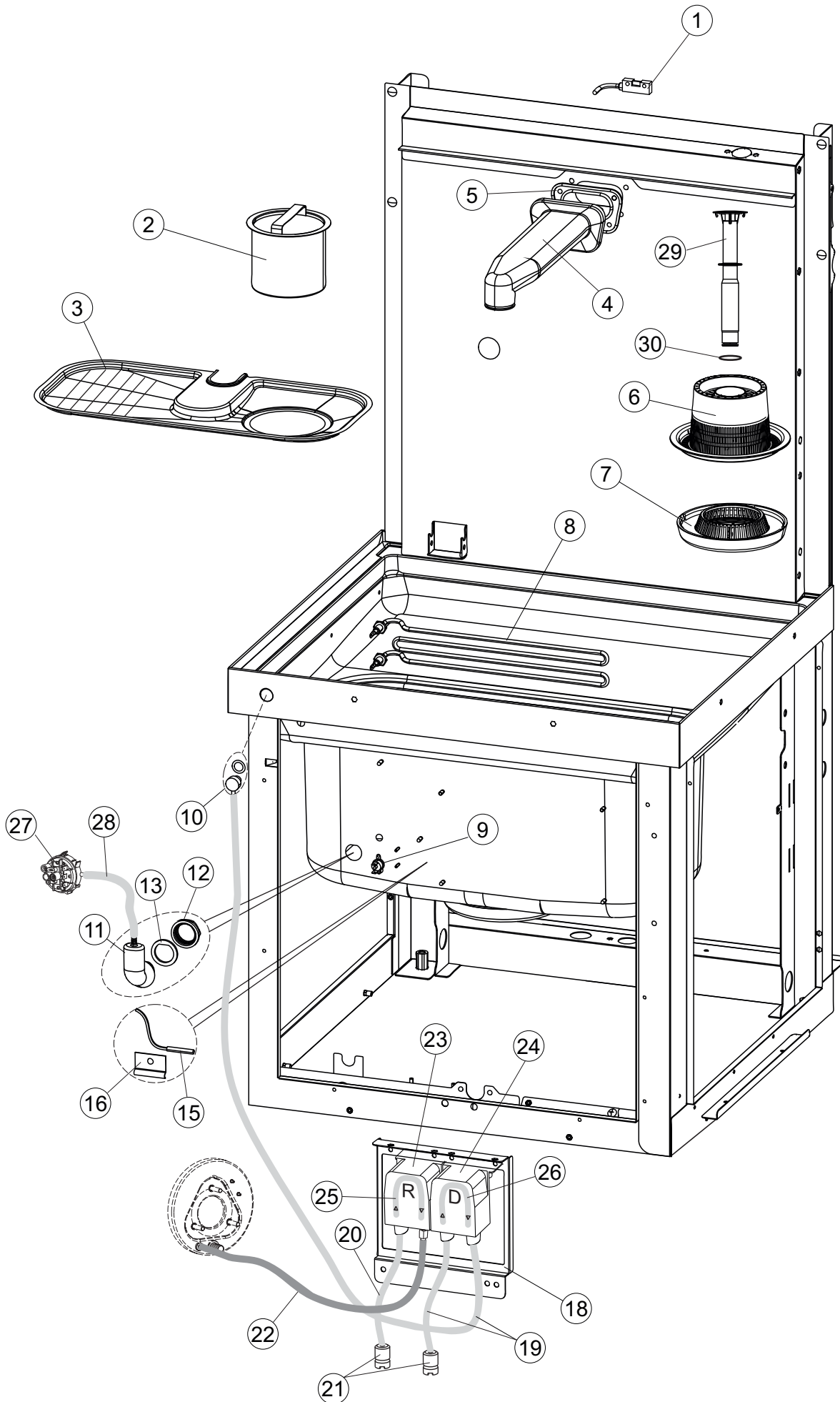
18	926108	MOLLA TRAZ.CAPOTTA f5.5 121/.. SPRING, HOOD TRAZ. f5.5 121/.. SPANNFEDER HAUBE f5.5 121/.. RESSORT TRAZ.CAPOTTA f5.5 121/.. MUELLE TRACC. CAPOTA f5. 5 121/..	
19	926009	GANCIO REGOLAZIONE MOLLA 100/120/140 HOOK, ADJUST.SPRING 100/120/140 HAKEN, FEDERREGUL. 100/120/140 CROCHET REGLAGE RESSORT 100/120/140 GANCHO REGULACION MUELLE 100/120/140	
20	70065	GUIDA CAPP HOOD DRIVE ÜAHN GUIDE HOTTE GUIA CAPOT	
21	70998	DISTANZIALE	
22	70036	SUPPORTO SX	
23	70035	SUPPORTO SX	
24	70255	TELAIO PORTACESTO RACK FRAME RAHMEN SUPPORT PANIER BASTIDOR PORTACESTA	
25	70019	TRAVE TIRANTE MOLLE	
26	70072	PANNELLO LATERALE DX  PANEL LATERAL DCHA PG ACABADO	
27	70071	PANNELLO LATERALE SX  PANEL LATERAL IZDA PG ACAB.	
28	41042	SPESSORE ADESIVO PANNELLI LATERALI LP STICKY DOOR SIDE THICKNESS KLEBENPER SCHLEGER TEMPON ADHÉSIF ESPESSORE ADHESIVO PANELES LATERALES LP	
29	80078	SQ. FISSAGGIO SOTTOPIANI GOLD PG FINITO BRACK., UNDER-SHELVES FIX. GOLD PG FINISHED BEF.WINKEL, UNTERABLAGEF.L.GOLD PG MASCHINENFERTIG EQ. FIXATION SOUS-ETAGERES GOLD PG FINI ESC. FIJACION APOYOS SUPERFICIES GOLD PG	
30	70082	PANNELLO ANTERIORE 2D COMPLETO	
31	926117	PIEDE REGOLABILE X CAPOTT.3LINEA FOOT, ADJUST. X CAPOTT.3LINE VERSTELLFUSS X HAUB.3LEIT. PIED REGLABLE POUR CAPOT.3LIGNE PATA REGULABLE X CAPOTA 3LINEA	
32	70265	CAVALLETTO PIVOT ZAPFEN PIVOT	

33	70250	SPONDA PORTACESTI	
34	80871	MICRO MAGNETICO MAGNETIC DOOR SWITCH TUERKONTAKTSCHALTER CONTACTE MAGNETIQUE CONTACTO MAGNETICO	
35	70300	STAFFA MESSA A TERRA MANIGLIONE	



## Pagina 2

1	70459	PANNELLO QUADRO ELETTRICO	
2	929115	RELE 16A 230V 62.82 RELAY 16A 230V 62.82 RELAIS 16A 230V 62.82 RELAIS 16A 230V 62.82 RELE 16A 230V 62. 82	
3	215027	SCHEDA GET50 LA50 MAIN BOARD KARTE CARTE ELECTRONIQUE TARJETA CHORROS50 LA50	
7	80350	CONTAT 230-50/60HZ 3RT1016-1AP01 CONTACT, 230-50/60HZ 3RT1016-1AP01 KONTAKT, 230-50/60HZ 3RT1016-1AP01 CONTACT 230-50/60HZ 3RT1016-1AP01 VER CODIGO 229037	
10	220011	* MORSETTIERA 5.POLI + TERRA FV.122 * TERMINAL BOARD, 5-POLES + EARTH FV.122 * KLEMMENBRETT, 5-POLIG + ERDUNG FV.122 * PLAQUE A BORNE 5POLES + TERRE FV.122 * BORNERO 5. POLOS + TIERRA FV. 122	
18	80934	CAVO FLAT COMANDI INFERIORI CAPOT CABLE FLAT CAPOT FLACHKABEL CABLE LIAISON CABLE FLAT MANDOS INFERIORES CAPOT	
19	80889	TASTIERA COMANDI CONTROL KEYBOARD BEDINGUNGEN-TESTENBRETT TABLEAU A POUSSOIRS COMMANDES TECLADO DE MANDOS	
20	419036	SPACER SPACER, M3 ABSTANDSSTÜCK, M3 ENTRETOISE M3 DISTANCIADOR M3	
21	417119	DADO M3 PLASTICA BIANCO NUT, M3 PLASTIC WHITE SCHRAUBENMUTTER, M3 KUNST. WEISS ECROU M3 PLASTIQUE BLANC TUERCA M3 PLASTICO BLANCO	
22	70711	POLIESTERE	
23	CWP2	PIEDINI SUPPORTO SCHEDA ELET.(ART.DRA6A) FEET, ELECTR.CARD SUPPORT(ART.DRA6A) STÜTZFÜSSE FÜR PLATINE (ART.DRA6A) PIEDS SUPPORT FICHE ELECTR.(ART.DRA6A) PATAS SOPORTE TARJETA ELECT. (ART.DRA6A)	
24	DEP521	PRESSACAVO PG21 (BER 4721) CABLE GLAND PG21 (BER 4721) KABELSCHELLE PG21 (BER 4721) SERRE CABLE PG21 (BER 4721) SUJETA-CABLE PG21 (BER 4721)	
25	69803	CAVO ALIMENTAZIONE 5X4MM POWER CABLE	
26	80731	TENDINA PVC PROTEZIONE COMP. ELE CURTAIN, PVC EL.COMP.PROTECTION VORHANG, PVC EL.SCHUTZ KOMPL. RIDEAU PVC PROTECTION COMP. ELECTR. CORTINA PVC PROTECCION COMP. ELE	



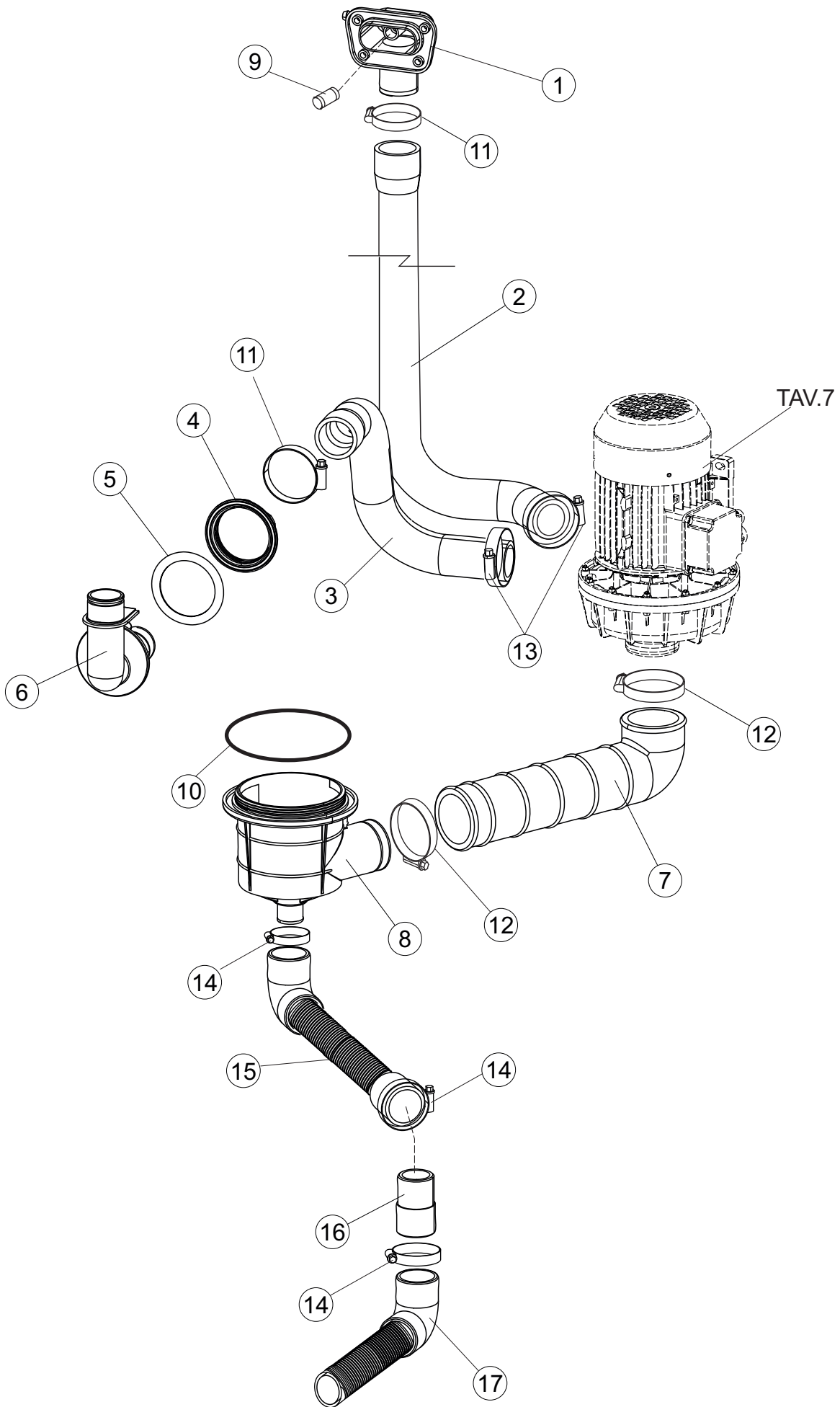


# Pagina 3

1	80871	MICRO MAGNETICO MAGNETIC DOOR SWITCH TUERKONTAKTSCHALTER CONTACTE MAGNETIQUE CONTACTO MAGNETICO	
2	70159	CESTELLO VASCA	
3	70153	FILTRO	
4	80177	CONDOTTO LAVAGGIO SUP.RIVER PIPELINE - WASHING, UPPER RIVER LEITUNG - SPÜLEN, OB. RIVER CONDUITE LAVAGE SUP.RIVER CONDUCTO LAVADO SUP. RIVER	
5	80178	GUARNIZIONE GASKET DICHTUNG JOINT JUNTA	
6	121120	FILTRO BASE COMPLETO LA50 FILTER COMPLETE SIEB FILTRE COMPLETE FILTRO BASE COMPLETO LA50	
7	429072	GHIERA CORPO ASPIR./SCARICO LA50 GEWINDERING ZWINGE VIROLE VIROLA CUERPO ASPIR./DESCARGA LA50	
8	70562	RESISTENZA 3000W 230V MONOFASE	
9	926189	TERMOSTATO BOILER SIC.95ø THERMOSTAT, BOILER, SAF.95ø SICHERHEITSTHERMOSTAT BOILER 95° THERMOSTAT CHAUDIERE SEC. 95ø TERMOSTATO CALENTADOR SEG. 95ø	
10	468151	RACCORDO ENTRATA SAPONE CPL NM * SALDATO UNION, EXTRA DET. CPL NM * WELDED TANKEINLAUF CPL NM* RACCORD ENTREE SAVON CPL NM * SOUDE EMPALME ENTRADA JABON CPL NM * SOLDADO	
11	107012	CAMPANA PRESSOSTATO (L) RV40-50-CAPOTE AIR TRAP LUFTFALLE PRISE D'AIR CAMPANA PRESOSTATO (L) RV40-50-CAPOTA	
12	417120	DADO PLASTICA GRIGIO PLASTIC NUT KUNSTSTOFFMUTTER 1-1/4 ECROU EN PLASTIQUE TUERCA PLASTICO GRIS	
13	437098	GUARNIZIONE NUOVA CAMP.PRESS. PACKING FOR AIR TRAP OF PRESSURE SWITCH DICHTUNG FUER LUFTFALLE JOINT PRISE D'AIRE PRESSOSTAT JUNTA NUEVA CAMP.PRES.	
15	231016	SONDA TEMPERATURA TEMP. PROBE KUGEL SONDE SONDA TEMPERATURA (AMPOLLA ACERO)	
16	H.775489-001	CLIP SONDA TEMPERATURA D5 CLIP FOR TEMP.SENSOR D5 KLIPP FÜR TEMP.FÜHLER D5 CLIP SONDE TEMPERATURE D5 CLIP SONDA TEMPERATURA D5	

18	80675	STAFFA DOSATORI PERISTALTICI BRACKET TRAGBUEGEL ETRIER SOPORTE DOSIFICADORES PERIST. PG ACABADO	
19	143194	TUBO 4x6 CRISTAL TRASPARENTE PIPE 4x6 CRISTAL, TRANSP. SCHLAUCH 4X6 CRISTAL, DURCHS. TUYAU 4x6 CRISTAL TRANSPARENT TUBO 4x6 CRISTAL TRASPARENTE	
20	H.775601	TUBO 4x6 CRISTAL BLUE PVC PIPE 4x6 CRISTAL BLUE PVC ROHR 4x6 CRISTAL BLAU PVC TUYAU 4x6 CRISTAL BLEU PVC TUBO 4x6 CRISTAL AZUL PVC	
21	121993	GRUPPO FILTRO DOSATORE FILTER GROUP FILTERANORDNUNG ENSEMBLE DE FILTRE ASAMBLEA DEL FILTRO	
22	143005	TUBO PRESS.TP 5x11 (CASER/15/NL C4N) PIPE, PRESSURE SWITCH TP 5x11 (CASER/15/NL C4N) SCHLAUCH TP 5X11 (CASER/15/NL C4N) TUYAU PRESS.TP 5x11 (CASER/15/NL C4N) TUBO PRES. TP 5x11 (CASER/15/NL C4N)	
23	209034	DOSAT.PERIST.BRILLANT.+NR P/REGOLABILE PERISTALTIC DOSING PUMP RINSE-AID ADJUST SCHLAUCHPUMPE PERISTALTIQUE POMPE DOSIFIC.PERIST.ABRILL. P/REGULABLE	
24	209029	DOSAT.PERIST.DETERGENTE P/REGOLABILE PERISTALTIC DETERG.DISP PERISTAKTISCHES DOSIERGERAET REINIGER PERISTALTIQUE POMPE DOSIFIC.PERIST.DETERGENTE P/REGULABLE	Optional
25	143261	TUBETTO SIL.5X10 MP2NERO+V.I(RR.005.119) TUBE 5X10 MEMBRANSCHLAUCH TUBE 5X10 TUBITO SILICONA 6X10 EMPALMES+VIROLAS	
26	143258	TUBETTO 6X10 TUBE 6X10 MEMBRANSCHLAUCH SANTOPREN TUBE 6X10 TUBITO SANTOPRENE 6X10 EMPALMES+VIROLAS	
27	224002	PRESSURE SWITCH - 110/60 PRESSURE SWITCH - 110/60 PRESSURE SWITCH - 110/60 PRESSURE SWITCH - 110/60 PRESSURE SWITCH - 110/60	
28	143131	TUBO GOMMA PIPE SCHLAUCH FUER DRUCKSCHALTER TUYAU VER CODIGO 143005	
29	70354	TROPPOPIENO OVERFLOW-PIPE UEBERLUAUFROHR TROP PLEIN REBOSE RIVER 82/83	
30	70135	O-RING 4131 VITON NERO SH.70 O-RING 4131 BLACK SCREW SH.70 GUMMIDICHTRING 4131 - SCHRAUBE - SCHWARZ SH.70 BAGUE D'ETANCHEITE' 4131 - VIS NOIRE SH. '70 O-RING 4131 VITON NEGRO SH. 70	

# 4

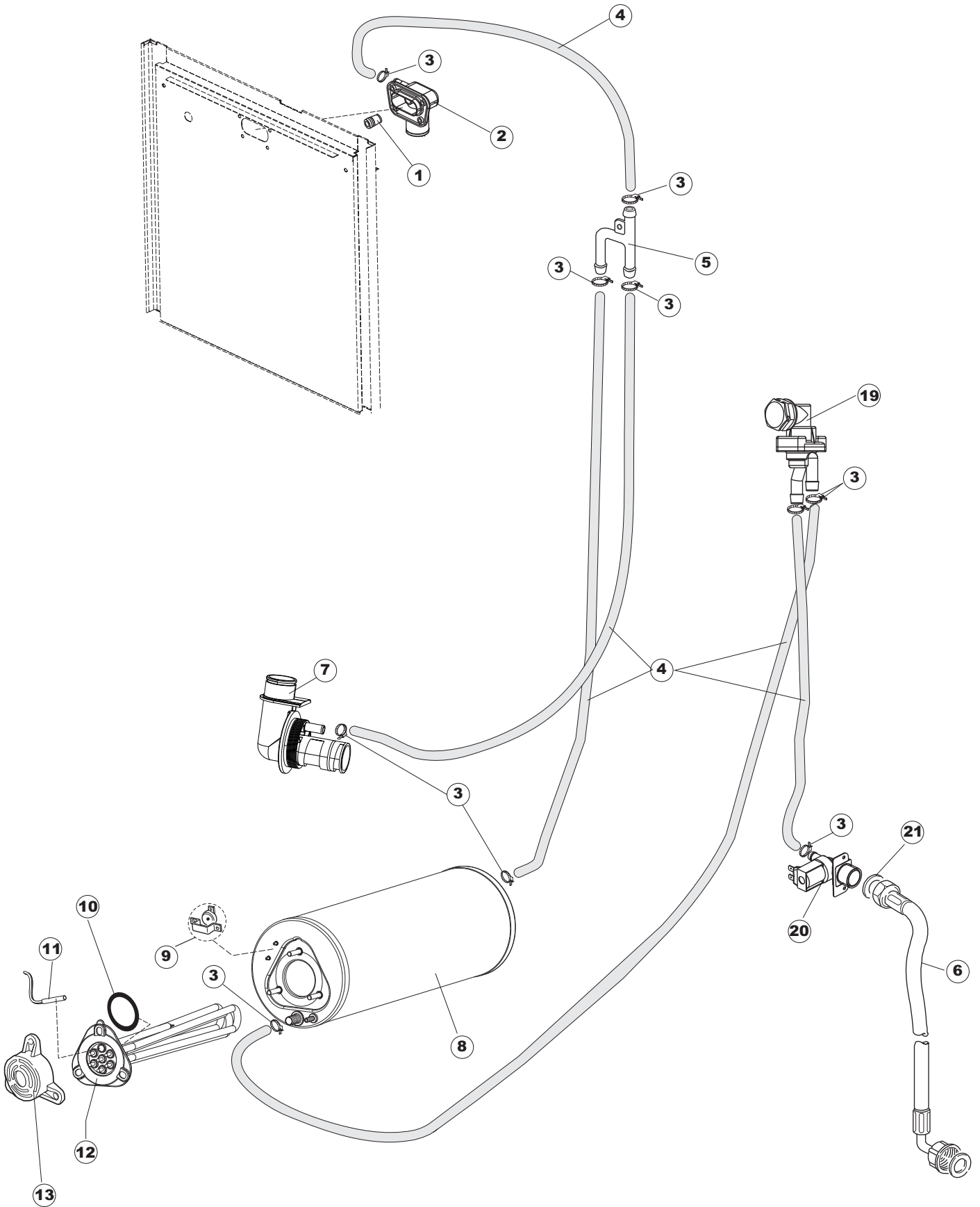


# Pagina 4

1	80174	RACCORDO LAV.SUP.EST.GOLD (COL.NEUTRO) UNION, WASH.UPP.OUTS.GOLD (NEUTRAL COL.) VERBINDUNGSST., OB.SPÜL. AUSS.GOLD (NEUTR. FARBE) RACCORD LAV.SUP.EXT.GOLD (COL.NEUTRE) EMPALME LAV. SUP. EXT. GOLD (COL. NEUTRO)	
2	70020	TUBO LAVAGGIO	
3	70021	MANICOTTO MANDATA RUBBER SLEEVE - SUPPLY SIDE ZUFHURUNGSMUFFE MANCHON DE DEBIT MANGUITO IMPULSION BOMBA	
4	70473	GHIERA	
5	70476	GUARNIZIONE LAVAGGIO INFERIORE	
6	70472	CONDOTTO LAVAGGIO INFERIORE	
7	80186	MANICOTTO ASPIRAZ.POMPA RIVER SLEEVE, SUCT.PUMP RIVER MUFFE, ABSAUG.PUMPE RIVER MANCHON ASPIRAT.POMPE RIVER MANGUITO ASPIRAC. BOMBA RIVER	
8	70040	POZZETTO SCARICO	
9	441009	INSERTO TENUTA D10 COLL.S621- INSERT, SEAL D10 COLL.S621- EINSATZ, DICHT. D10 SAMM.S621- INSERT ETANCHEITE D10 COLL.S621- ELEMENTO ESTANQ. D10 COLECT. S621-	
10	456076	OR.D.I.135.9X5.33 ART.53125 OR.D.I.135.9X5.33 ART.53125 TORISCHE DICHTUNG D.I.135.9X5.33 JOINT TORIQUE D.I.135.9X5.33 OR.D.I.135.9X5.33 ART.53125	
11	CFS1A	FASCETTA A VITE TORRO W1/W2B 40-60/12 CLAMP, HOSE-TYPE TORRO W1/W2B 40-60/12 SCHELLE, SCHRAUBE TORRO W1/W2B 40-60/12 BANDE DE SERRAGE A VIS TORRO W1/W2B 40-60/12 ABRAZ. CON TORNILLO TORRO W1/W2B 40-60/12	
12	CFS3	FASCETTA A VITE TORRO W2B 60-80/12 CLAMP, HOSE-TYPE TORRO W2B 60-80/12 SCHELLE, SCHRAUBE TORRO W2B 60-80/12 BANDE DE SERRAGE A VIS TORRO W2B 60-80/12 ABRAZADERA CON TORNILLO TORRO W2B	
13	CFS2	FASCETTA TORRO W1/W2B 50-70/12 CLAMP, TORRO W1/W2B 50-70/12 SCHELLE, TORRO W1/W2B 50-70/12 BANDE DE SERRAGE TORRO W1/W2B 50-70/12 ABRAZADERA TORRO W1/W2B 50-70/12	
14	CFS1	FASCETTA A VITE TORRO 35-50/9 CLAMP, HOSE-TYPE TORRO 35-50/9 SCHLAUCHSCHELLE TORRO 35-50/9 BANDE DE SERRAGE A VIS TORRO 35-50/9 ABRAZADERA CON TORNILLO TORRO 35-50/9	
15	70116	TUBO DI SCARICO DRAIN HOSE ABFLUSSSCHLAUCH TUYAU DE VIDANGE TUBO DESCARGA VERSION INTEGR. 22	

16	70167	RACCORDO SCARICO	
17	143252	TUBO SCARICO LA50 DRAIN HOSE ABLAUFLEITUNG TUYAU VIDANGE TUBO DESCARGA LA50	

# 5



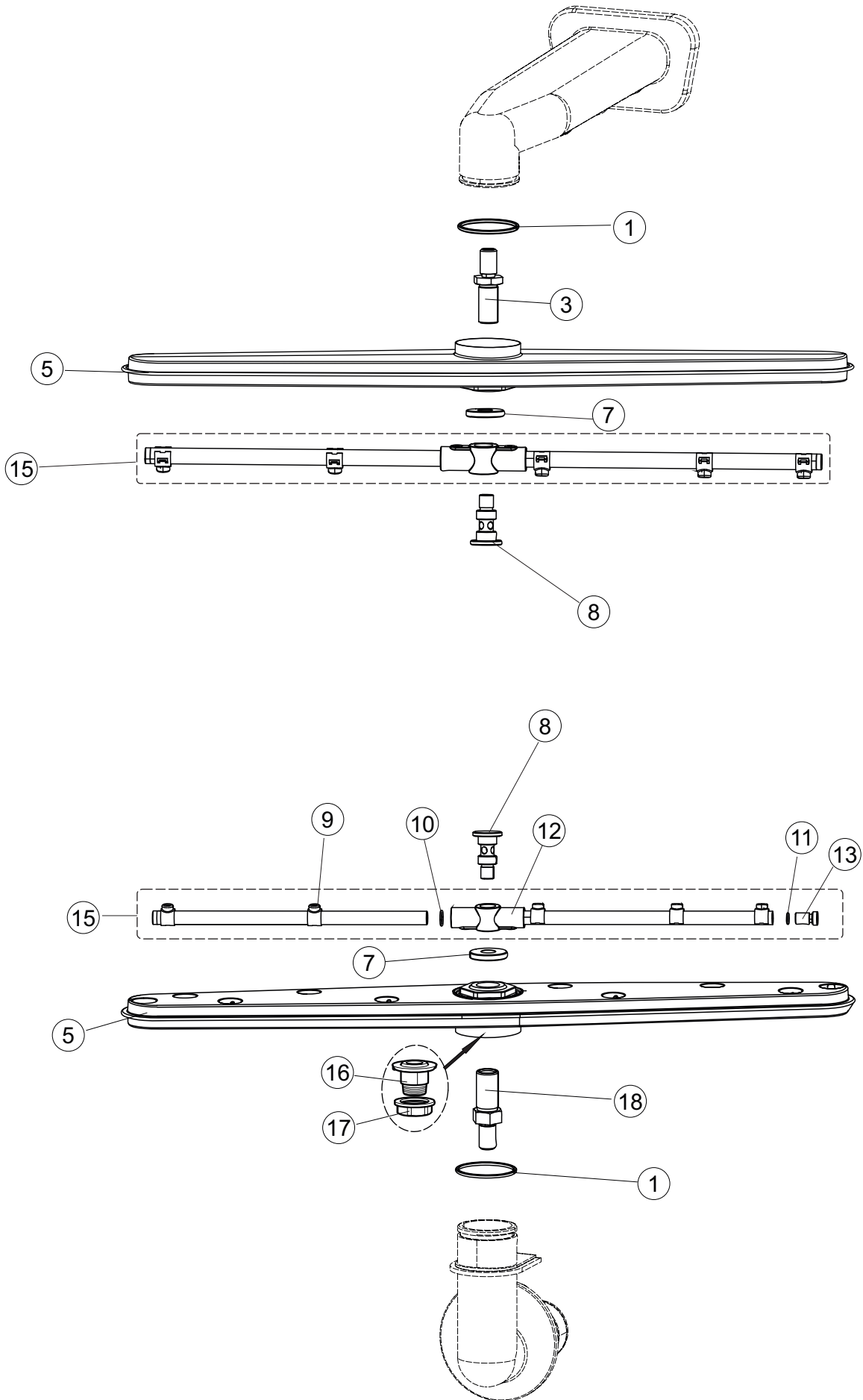
# Pagina 5

1	441009	INSERTO TENUTA D10 COLL.S621- INSERT, SEAL D10 COLL.S621- EINSATZ, DICHT. D10 SAMM.S621- INSERT ETANCHEITE D10 COLL.S621- ELEMENTO ESTANQ. D10 COLECT. S621-	
2	80174	RACCORDO LAV.SUP.EST.GOLD (COL.NEUTRO) UNION, WASH.UPP.OUTS.GOLD (NEUTRAL COL.) VERBINDUNGSST., OB.SPÜL. AUSS.GOLD (NEUTR. FARBE) RACCORD LAV.SUP.EXT.GOLD (COL.NEUTRE) EMPALME LAV. SUP. EXT. GOLD (COL. NEUTRO)	
3	927322	FASCETTA NASTRO 14-24 CLAMP, TAPE 14-24 SCHLAUCHSCHELLE 12-22 BANDE DE SERRAGE CONVOYEUR 14-24 ABRAZADERA CINTA 12-22	
4	143010	TUBO PRESS.TP 12X19.5 PIPE, PRESSURE SWITCH TP 12X19.5 ROHR, DRUCKSCHALTER TP 12X19.5 TUYAU PRESS.TP 12X19.5 TUBO PRES. TP 12X19. 5	
5	143173	GIUNZIONE RISC.PLAST.35/40/50 JOINT, RINSE PLAST.35/40/50 VERBIND., NACHSPÜLEN KUNST.35/40/50 JOINT RINC.PLAST.35/40/50 UNION ENJUAGUE PLAST. 35/40/50	
6	929169	TUBO DI CARICO DEL TERMOPLASTICO PIPE, THERMOPLASTIC DELIVERY ZULAUFSCHLAUCH, WASSER THERMOPLAST TUYAU DE CHARG. DU THERMOPLASTIQUE TUBO DE CARGA DEL TERMOPLASTICO	
7	70472	CONDOTTO LAVAGGIO INFERIORE	
8	104060	BOILER BOILER BOILER SURCHAUFFEUR LA50 CALENTADOR LA50	
9	926189	TERMOSTATO BOILER SIC.95ø THERMOSTAT, BOILER, SAF.95ø SICHERHEITSTHERMOSTAT BOILER 95° THERMOSTAT CHAUDIERE SEC. 95ø TERMOSTATO CALENTADOR SEG. 95ø	
10	456002	OR 48x6,2 O-ring 48x6,2 O-Ring 48x6,2 OR 48x6,2 OR 48x6,2	
11	231016	SONDA TEMPERATURA TEMP. PROBE KUGEL SONDE SONDA TEMPERATURA (AMPOLLA ACERO)	
12	230020C	KIT RESISTENZA REB230020 (8KW) KIT, RESISTANCE REB230020 (8KW) KIT, WIDERSTAND REB230020 (8KW) KIT RESISTANCE REB230020 (8KW) KIT RESISTENCIA REB230020 (8KW)	
13	69870	PROTEZIONE RESISTENZA BOILER BOILER HEATING ELEMENT PROTECTION HEIZUNGSSCHUETZ DES WARMWASSERBEREITERS PROTECTION RESISTANCE BOILER PROTECCION RESISTENCIA CALENTADOR	
19	144010NT	DISPOSIT.A/R CON RACC SFIATO + CAPP., ES. CHECK VALVE W/DRAIN UNION + CAP. ES. RÜCKSCHLAGVORR. MIT ENTLÜFTUNG + KAPPE, ES. DISPOSIT.ANTI-RETOUR AV/RACC.DE VID.+CAP,ES. VER CODIGO 144010	
20	240016	VALVOLA DI CARICO 1VIA 3/4 230V PARZ.16L LOADING S.VALVE 1-WAY 3/4 230V PART.16L ZUFLUSSVENTIL 1-WEG 3/4 230V DROSS.16L SOUPAPE DE CHARG. 1VOIE 3/4 230V PARZ.16L VALVULA DE CARGA 1VIA 3/4 230V PARC. 16L	

21	437041	GUARNIZIONE 3/4 GAS CARICO GASKET 3/4 GAS LOAD DICHTUNG 3/4 GASVERSORG. JOINT 3/4 GAZ VID. JUNTA 3/4 GAS CARGA	
----	--------	--	--

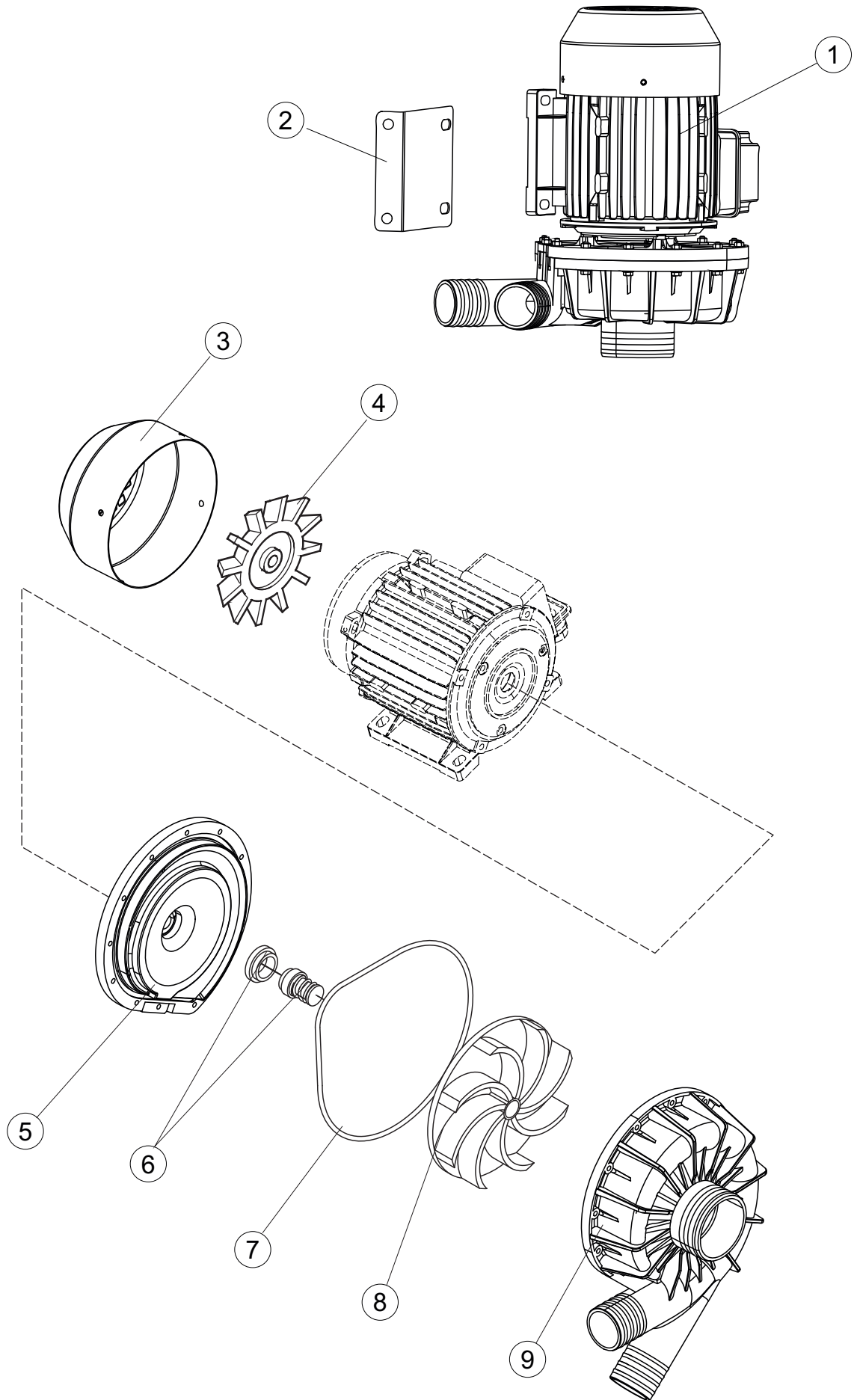


# 6



# Pagina 6

1	80184	ANELLO TENUTA PER SUPP.LAVAGGIO FIXING RING WASHING SUPPORT GLEIT UND DICHTUNGSRING ANNEAU TENUE SUPPORT LAVAGE ANILLO ESTANQ. PARA SOP.LAVADO	
3	80282	ALBERO PERNO RISC.RIVER SHAFT, WASH RINSE RIVER WELLE, ZAPFEN NACHSPÜLEN RIVER ARBRE PIVOT RINC.RIVER EJE PERNO ENJUAGUE RIVER	
5	80311	PETTINE LAVAGGIO RIVER CAPOT COMB, WASHING RIVER CAPOT KAMM, SPÜLEN RIVER-DURCHSCHUBSPÜLAUTOM. PEIGNE LAVAGE RIVER CAPOT PEINE LAVADO RIVER CAPOT	
7	80679	GHIERA ULTRA RINSE INOX NUT RING BAGUE VIROLA ULTRA RINSE INOX	
8	80644	PERNO	
9	140036	SPRUZZO RISCIAQUO D.2,5 X TUBO D12 RINSE JET DUESE GLICEUR ROCIADOR ENJUAGUE D. 2,5	
10	456019	OR 2037 O-ring 2037 O-Ring 2037 OR 2037 OR 2037	
11	CGR106	O-RING 106 GOMMA NITR. (6,75 X 1,78 NBR) O-ring 106 NITRILE RUBBER (6,75 X 1,78 NBR) O-RING 106 NITRILGUMMI (6,75 X 1,78 NBR) O-RING 106 CAOUTCHOUC NITRYLE (6,75 X 1,78 NBR) VER CÓDIGO 456030	
12	69632	CORPO PETTINE ARM BODY KOERPER DES NACHSPUELARMES CORPS BRAS CUERPO PEINE ENJUAGUE.	
13	926132	TAPPO PL.X BRACCIO DI RISC.(DWT312) CAP, PLASTIC FOR WASH. ARM (DWT312) PFROPFEN, KUNST. FÜR NACHSPÜLARM (DWT312) BOUCHON PL.POUR BRAS DE RINC.(DWT312) TAPON PL. X BRAZO DE ENJUAGUE (DWT312)	
15	69677	BRACCIO RISCIAQUO RINSE ARM NACHSPUELARM BRAS RINC PEINE ENJUAGUE RIVER 80/81	
16	80310	SUPPORTO LANC/LAVAGGIO (RAL7001) SUPPORT, WASH-ARM/WASH. (RAL7001) HALTER, SPÜLLANZE/SPÜL. (RAL7001) SUPPORT RAMPE DE LAVAGE (RAL7001) SOPORTE LANC/LAVADO (RAL7001)	
17	80314	DADO LANCIA LAVAGGIO GRIGIO NUT, WASH-ARM GREY SCHRAUBENMUTTER, SPÜLLANZE GRAU ECROU RAMPE DE LAVAGE GRIS VER CODIGO 926128	
18	80283	PERNO INFERIORE LANCIA LAVAGGIO ALTO PIN, LOWER, WASH.NOZZLE, HIGH ZAPFEN, UNTEN, SPÜLLANZE HOCH PIVOT INFERIEUR RAMPE DE LAVAGE HAUT PERNO INFERIOR LANZA LAVADO ALTO	



## Pagina 7

1	70100	ELETTROPOMPA 1,5KW 230/400V 50HZ PUMP PUMPE POMPE ELECTROBOMBA	
2	70105	STAFFA POMPA LAVAGGIO	
3	70940	COPRIVENTOLA	
4	70939	COPRIVENTOLA	
5	70941	COPRIVENTOLA	
6	70942	TENUTA MECCANICA	
7	70943	O-RING	
8	70944	GIRANTE	
9	70945	CHIOCCIOLA	